

Series LF25AUB-Z3

Pressure Reducing Valve

Size: DN15-DN50

Series LF25AUB-Z3 Water Pressure Reducing Valves are designed to reduce incoming water pressure to a sensible level to protect plumbing system components and reduce water consumption.

Features

- Lead-Free cast copper silicon alloy construction
- High temperature resistant reinforced diaphragm for hot water
- Bypass feature controls thermal expansion pressure
- Standard construction includes Z3 sealed spring cage and stainless steel corrosion resistant adjusting & cage screws
- Union inlet connection
- Integral stainless steel strainer
- Replaceable seat module
- Serviceable in line

Pressure-Temperature

- Nominal Pressure: 300 psi (20.7 bar)
- Temperature Range: 0.5°C~71°C
- Reduced Pressure Range: 25–75 psi

Material

| Component | Material |
|-------------------|---|
| Body | Lead-Free* copper silicon alloy |
| Seat | 1/2"–1" (15–25mm) Replaceable engineered polymer (10% glass filled Noryl®) 1 1/4"–2" (32–50mm) Replaceable stainless steel |
| Integral Strainer | Stainless steel |
| Diaphragm | Reinforced EPDM with PTFE wetted surface |
| Valve Disc | EPDM |

Options

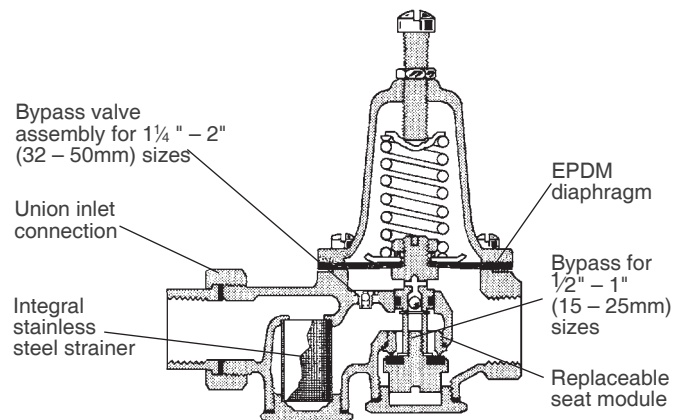
| Add Suffix | |
|--------------|--|
| -" | Threaded female union inlet x NPT female outlet |
| -S | Solder union inlet x NPT female outlet |
| -QC | Quick-Connect union inlet (1/2", 3/4", 1") |
| -LF | Double union body less fittings (3/4", 1", 1 1/4") |
| -w/press**** | Press inlet x press outlet (non union) |
| -DU | Double Union – NPT threaded union female inlet and outlet |
| -S-DU | Double Union –Solder union inlet and outlet |
| -DU-PEX | Double Union –PEX union inlet and outlet |
| -DU-QC | Double Union – Quick-Connect inlet and outlet (1/2", 3/4", 1") |
| -G | Gauge tapping, 1/4 |
| -GG | Gauge tapping and 160psi (11 bar) gauge |
| -HP | High-pressure range 75–125psi (5.2 – 8.6 bar) † |
| -LP | Low-pressure range 10–35psi (69 – 241 kPa) † |
| -Z7 | 400psi (27.6 bar) initial pressure, 1/2" models only |
| -Z6 | Water meter threaded connections and 7 1/2" (190mm) lay length for new or existing meter box installations, For 5/8", 5/8" x 3/4" or 3/4" meter setters or resetters |



Specification

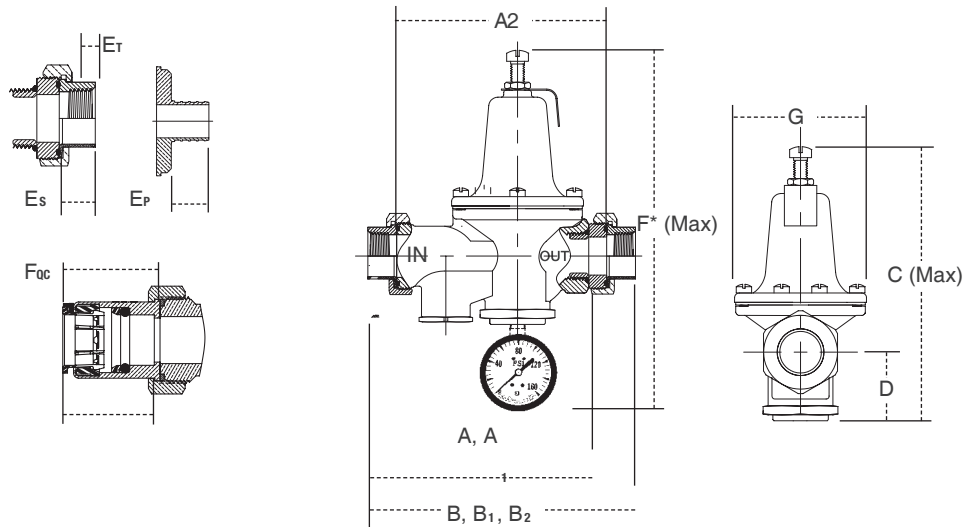
- Design Standard: ASSE 1003, CSA B356, MIL-V-18146B type I, IAMPO
- Connection Standard: ANSI A112.26.2
- Medium: water, air, neutral gas, domestic fuel oil
- Note: Single Stage Pressure Reduction is recommended where incoming pressure is less than 200psi and when the reduction ratio is less than 3:1. If the initial pressure is 200psi or greater, or the pressure reduction ratio is greater than 3:1 (e.g. from 200psi to 50psi), or when the inflow pressure fluctuates greatly two-stage Pressure reduction is recommended by adding 2 PRVs in series.

Approvals



Installation Dimension

- A - LF25AUB-Z3
- A₁ - LF25AUB-S-Z3
- A₂ - LF25AUB-DU-LF-Z3
- B - LF25AUB-DU-Z3
- B₁ - LF25AUB-S-DU-Z3
- B₂ - LF25AUB-DU-THDxPEX-Z3
- Er - NPT Engagement for tight joint
- Es - Female sweat socket depth
- Ep - PEX end connection
- Foc - Quick-Connect union



| Size | Dimensions | | | | | | | | | | | | | |
|-------|------------|-----|----------------|-----|----------------|-----|---------|-----|----------------|-----|----------------|-----|--------|-----|
| | A | | A ₁ | | A ₂ | | B | | B ₁ | | B ₂ | | C | |
| in. | in. | mm | in. | mm | in. | mm | in. | mm | in. | mm | in. | mm | in. | mm |
| 1/2 | 5 3/8 | 137 | 5 5/16 | 135 | 5 3/16 | 132 | 6 7/16 | 164 | 6 3/8 | 162 | - | - | 7 | 178 |
| 3/4 | 5 5/16 | 135 | 5 1/2 | 140 | 5 1/4 | 133 | 6 1/2 | 165 | 6 7/8 | 175 | 6 3/4 | 171 | 7 | 178 |
| 1 | 6 | 152 | 6 1/4 | 159 | 5 7/8 | 149 | 7 3/8 | 187 | 7 13/16 | 198 | 7 11/16 | 195 | 8 | 203 |
| 1 1/4 | 8 3/4 | 222 | 8 15/16 | 227 | 8 1/4 | 210 | 10 3/4 | 273 | 11 | 279 | - | - | 9 | 229 |
| 1 1/2 | 8 3/4 | 222 | 9 | 229 | 8 1/4 | 210 | 10 3/4 | 273 | 11 3/16 | 284 | - | - | 9 1/2 | 241 |
| 2 | 9 1/4 | 235 | 10 | 254 | 8 3/4 | 222 | 11 5/16 | 287 | 12 11/16 | 322 | - | - | 11 1/4 | 286 |

| Size | Dimensions | | | | | | | | | | | | | | lbs. | kg |
|-------|------------|----|----------------|-----|--------|-----|-----|----|--------|----|-------|----|---------|----|------|-----|
| | D | | F ^Δ | | G | | Er | | Es | | Ep | | Foc | | | |
| in. | in. | mm | in. | mm | in. | mm | in. | mm | in. | mm | in. | mm | in. | mm | | |
| 1/2 | 1 1/2 | 38 | 9 7/16 | 240 | 3 1/8 | 79 | 1/2 | 13 | 1/2 | 13 | - | - | 1 1/2 | 38 | 3.5 | 1.6 |
| 3/4 | 1 1/2 | 38 | 9 7/16 | 240 | 3 1/8 | 79 | 1/2 | 13 | 3/4 | 19 | 5/8 | 16 | 1 11/16 | 42 | 3.5 | 1.6 |
| 1 | 1 3/4 | 44 | 10 7/16 | 266 | 3 5/8 | 92 | 5/8 | 16 | 15/16 | 23 | 13/16 | 21 | 1 3/4 | 45 | 6.5 | 3.0 |
| 1 1/4 | 2 1/8 | 54 | 11 7/16 | 291 | 3 5/8 | 92 | 5/8 | 16 | 1 | 25 | - | - | - | - | 10 | 4.5 |
| 1 1/2 | 2 3/8 | 60 | 11 15/16 | 304 | 4 1/16 | 103 | 5/8 | 16 | 1 1/16 | 28 | - | - | - | - | 10 | 4.5 |
| 2 | 3 1/4 | 83 | 13 11/16 | 348 | 4 3/4 | 121 | 5/8 | 16 | 1 5/16 | 34 | - | - | - | - | 15 | 6.8 |

Characteristic Curve

