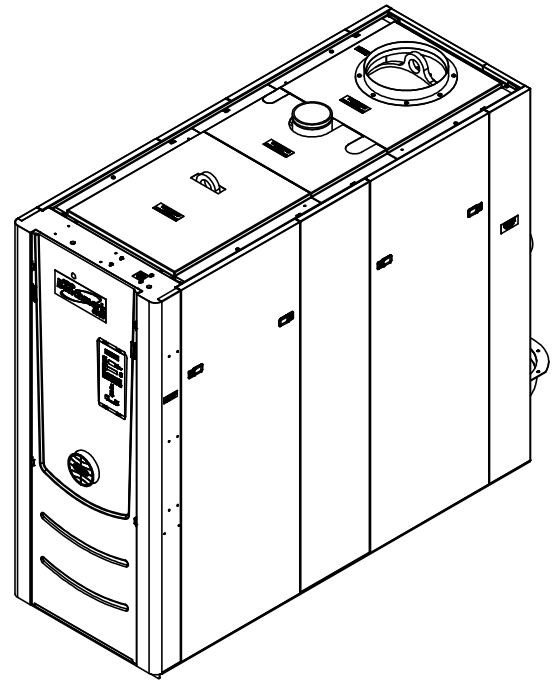


EXHAUST MANIFOLD			
ITEM	PART NO.	QTY	DESCRIPTION
1	39131	1	EXHAUST MANIFOLD
2	9-22	2	PIPE PLUG
3	84042	2	MANIFOLD SEAL
4			
5			



GAS TRAIN ASSEMBLY			
ITEM	PART NO.	QTY	DESCRIPTION
6	22172-1	1	STD FM GAS TRAIN ASSY
7	124866	1	SOLENOID VALVE, 1/4" NPT
8	64089	1	MAXITROL 325-3 PRESSURE REGULATOR
9	69038	1	ACTUATOR, SSOV W/O P.O.C. SWITCH
10	124156	2	FLANGE, 2" SSOV
11	124142	1	VALVE, SSOV, DOUBLE BODY, 2" NPT
12			
13	61002-18	1	LOW GAS PRESSURE SWITCH 8.5" W.C.
14	64048	1	ACTUATOR, SSOV W/ REGULATOR KIT
15	61002-17	1	HIGH GAS PRESSURE SWITCH 10.5" W.C.
16	GP-122403	1	LOW GAS PRESSURE SWITCH 6.9" W.C.
17			
18			

BURNER, AIR/FUEL VALVE, AND HEAT EXCHANGER			
ITEM	PART NO.	QTY	DESCRIPTION
30	46025	1	BURNER
31	58066		A/F VALVE KIT
32			
33	81159	2	GASKET, BURNER
34	88014	2	AIR FILTER
35	28237	2	HEAT EXCHANGER ASSY
(1) 36	39167	1	SHIELD, BURNER
37	83028	1	FRONT REFRACTORY
38	83027	1	REAR REFRACTORY
39	96017	1	DUCT, WYE 8" X 6" X 6"
40	39170	1	SHIELD ASSY
41			
42			
43			
44			

BLOWER			
ITEM	PART NO.	QTY	DESCRIPTION
19	58065	1	BLOWER REPLACEMENT KIT
20			
(1) 21	81161	1	GASKET, BLOWER
22	65136	1	FLAME ROD
23			
24	59140	1	SIGHT GLASS
25	29700	1	PILOT BURNER, SPARK IGNITION
26	59192	2	OPTICAL FLAME SENSOR MOUNTING PORT
27	59201	1	TURNBUCKEL ASSY
28			
29			

CONTROLS				
ITEM	PART NO.	QTY	DESCRIPTION	
(1)	45	63112	1	HARNESS, O2 SENSOR
	46	65104	1	CABLE, H.V. IGNITION
(1)	47	63114	2	OPTICAL SENSOR HARNESS
	48	61031	2	OPTICAL FLAME SENSOR
(1)	49	63120	1	RELAY POWER HARNESS
(1)	50	63119	1	RELAY HARNESS
	51	65130	1	VFD DRIVE 460V
	52			
(1)	53	63113	1	SHELL HARNESS
	54	69147	1	I/O ASSY
(1)	55	63111	1	CONTROL HARNESS
(1)	56	63004	1	460V TRANSFORMER HARNESS
(1)	57	63110	1	BLOWER CONTROL WIRE
(1)	58	69169	2	JUMPER BAR, DIN TERMINALS
(1)	59	63121	1	12V POWER SOURCE HARNESS
(1)	60	63122	1	GROUND CABLE, #12
	61	181197	1	C-MORE CONTROL BOX
	62	65085	1	TRANSFORMER, IGNITION
	63	65135	2	OMRON RELAY BASE
	64	65134	2	OMRON RELAY 24V
	65	39168	2	CLIP, SHIELD
	66	61032	2	SURFACE TEMP SENSOR
(1)	67	123449	1	INLET WATER TEMPERATURE SENSOR
	68	61020	1	EXHAUST TEMPERATURE SENSOR
	69	61030	1	OUTLET WATER TEMPERATURE SENSOR
	70	93359	1	THERMOWELL

CONTROLS (CONT.)				
ITEM	PART NO.	QTY	DESCRIPTION	
	71	64081	1	ECU, O2 SENSOR
	72	65011	1	TRANSFORMER 115V / 24V 100VA
	73	65109	1	12V POWER SUPPLY
	74	123552-1	1	SWITCH, OVER TEMP MANUAL RESET 200° F
	75	123966	1	SWITCH, OVER TEMP AUTO RESET
	76	69161-1	1	DIN RAIL
	77	65120	3	TERMINAL BLOCK, DIN MOUNTED, BLACK
	78	65121	4	TERMINAL BLOCK, DIN MOUNTED, WHITE
	79	65122	5	TERMINAL GROUND BLOCK, DIN MOUNTED
	80	65118	2	FUSE TERMINAL, DIN MOUNTED
	81	64088	1	LIMIT CONTROL TEMP, DIGITAL CONTROLLER
	82	65128	1	3 POLE 20A BREAKER
(1)	83	124512	2	4 AMP FUSE
(1)	84	63105	1	I/O SENSOR/ COMM HARNESS
(1)	85	63104	1	I/O INTERLOCK HARNESS
(1)	86	63090	1	TEMP LIM CONTROL POWER HARNESS
	87	124310	1	TRANSFORMER, STEP DOWN 500V/ 120V
	88	69161-2	1	DIN RAIL
	89	124324	1	GROUND BAR
(1)	90	63015	1	GAS TRAIN HARNESS
	91	38035	1	I/O BOX COVER
	92	38036	1	POWER BOX COVER
	93	58060	1	O2 SENSOR KIT
	94			
	95			
	96			
	97			
	98			
	99			
	100			

AERCO INTERNATIONAL, INC.
BLAUVELT, NY 10913

**BENCHMARK 6000
BOILER PARTS LIST**

DRAWN BY KP	PL - A - 178	A
DATE 8/13/12	(SHEET 2 OF 9)	

SHEET METAL / PANEL ASSEMBLY			
ITEM	PART NO	QTY	DESCRIPTION
101	30117	4	SIDE PANEL
102	35025	2	SIDE PILLAR
103	30126	1	TOP PANEL, FRONT
104	30128	1	TOP PANEL, MIDDLE
105	30127	1	TOP PANEL, BACK
106	30125	1	BACK PANEL, RIGHT
107	30124	1	BACK PANEL, LEFT
108	39174	1	AIR INLET ADAPTER
109	59133	8	LATCH, COMPRESSION
110	25078	1	FRONT PANEL ASSY
(1) 111	35024	2	TOP RAIL
112	32068	1	AERCO LOGO
113	74024	1	BMK 6000 logo
114	33148	2	BRACE, DIAGONAL
115			
116			
117			
118			

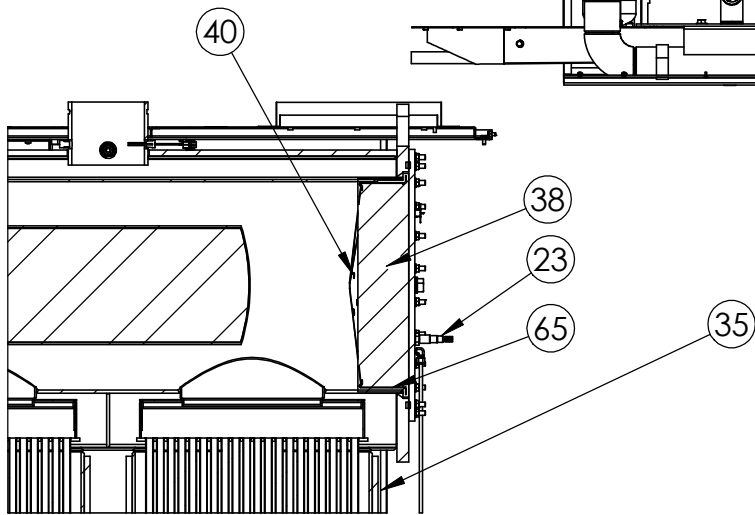
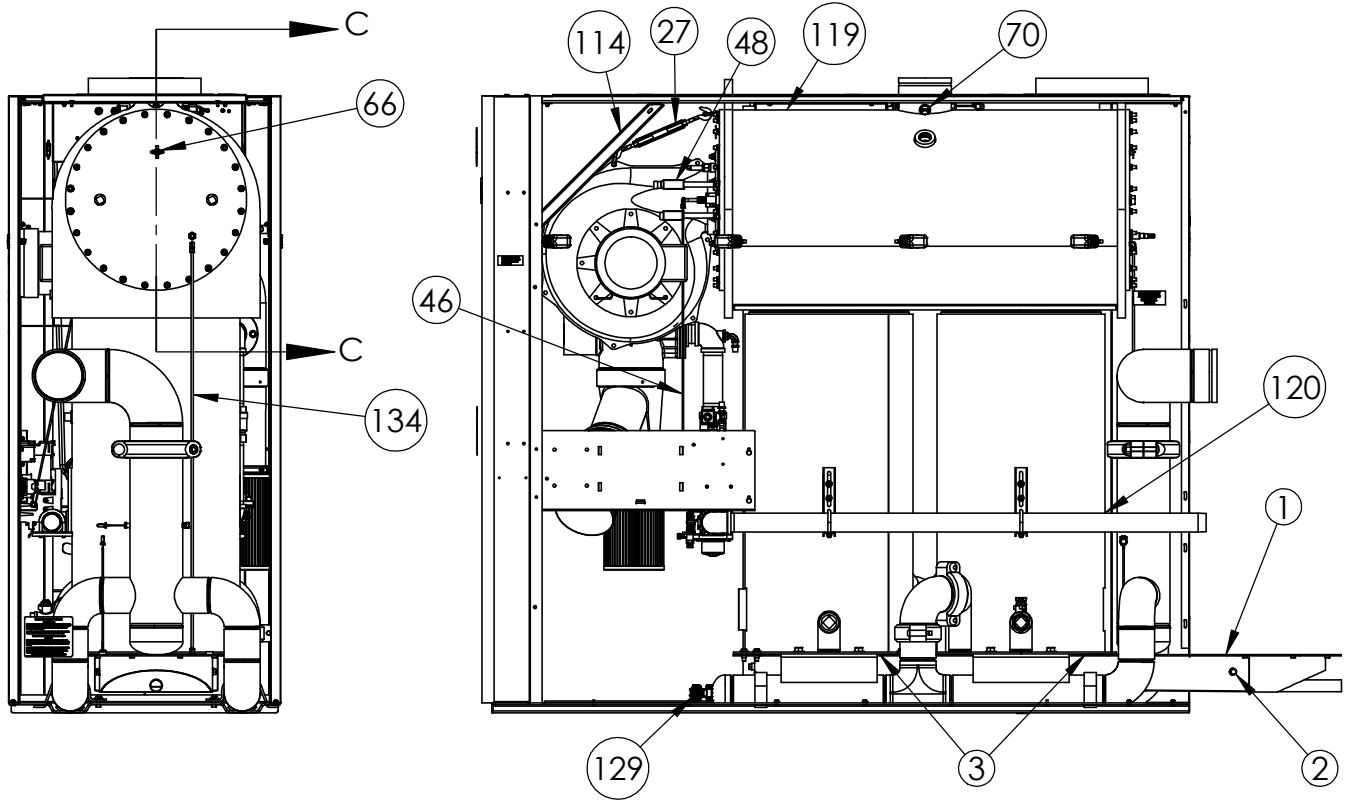
OTHER ACCESORIES / PARTS			
ITEM	PART NO.	QTY	DESCRIPTION
124			
125			
126			
127	69126	1	LOW WATER CUTOFF/ CAPACITOR ASSY
128			
129	92094	2	3/4" DRAIN VALVE
130			
131			
132			
133			
134	58067	1	SAMPLING TUBE KIT
135			
136			
137			
138			

HOSES & INSULATION			
ITEM	PART NO.	QTY	DESCRIPTION
119	80084	1	UPPER INSULATION
120	80083	2	LOWER INSULATION
(1) 121	97005-5	1	TUBE, FLEXIBLE GAS 18"
122			
123			

NOTES:

(1) NOT SHOWN ON DRAWING

AERCO INTERNATIONAL, INC. BLAUVELT, NY 10913	
BENCHMARK 6000 BOILER PARTS LIST	
DRAWN BY KP	PL - A - 178
DATE 8/13/12	(SHEET 3 OF 9) A

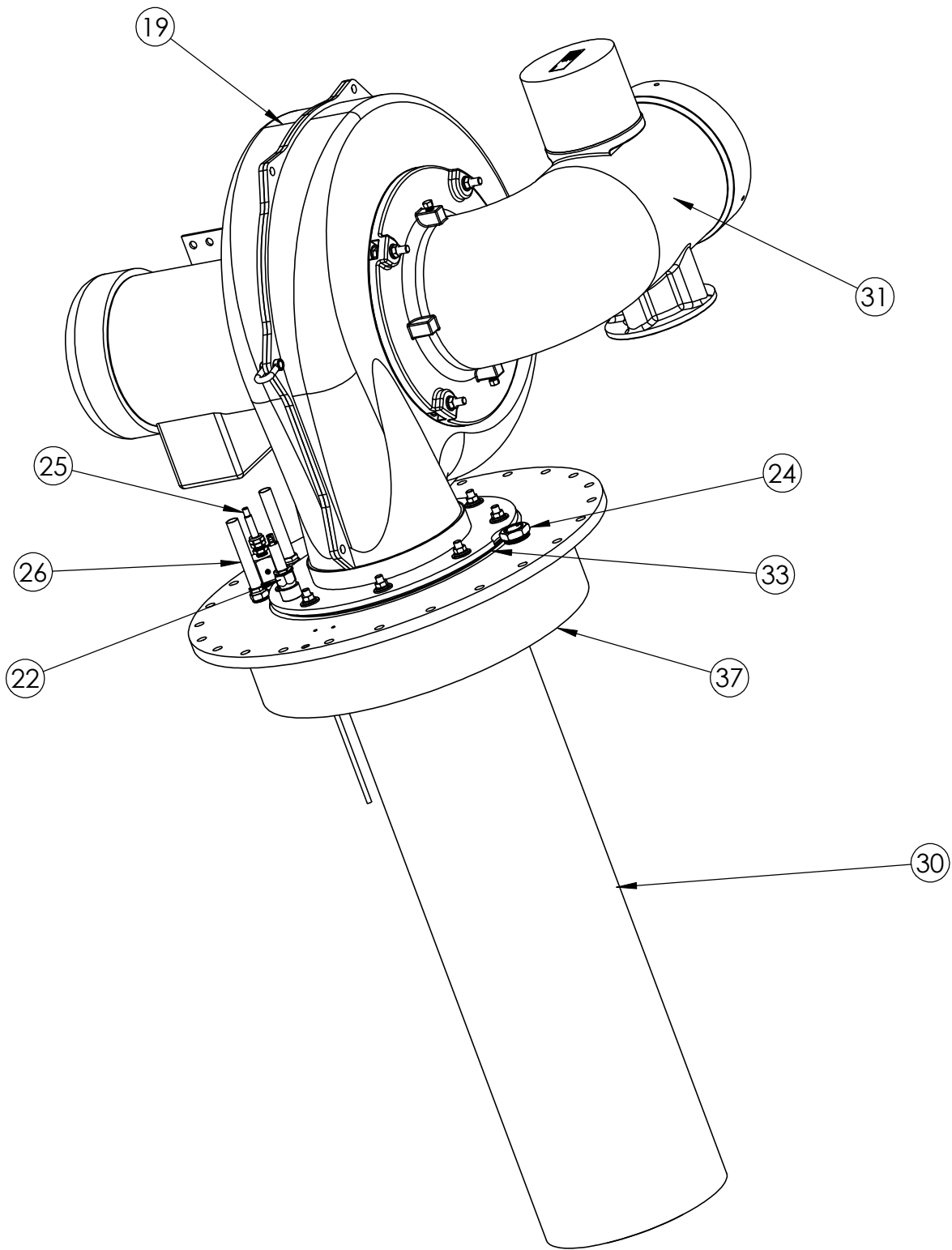


SECTION C-C
SCALE 1 : 16

AERCO INTERNATIONAL, INC.
BLAUVELT, NY 10913

**BENCHMARK 6000
BOILER PARTS LIST**

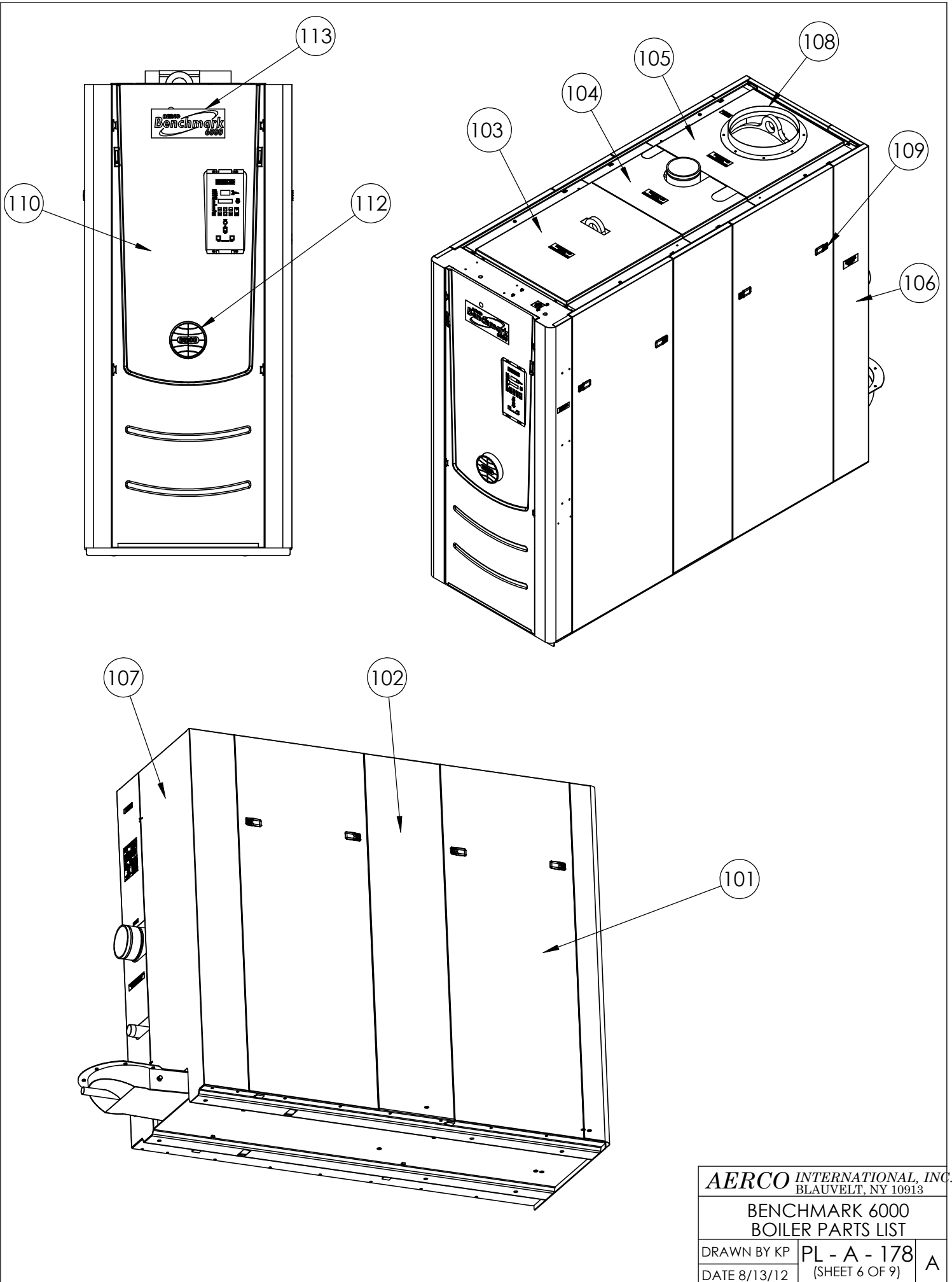
DRAWN BY KP	PL - A - 178	A
DATE 8/13/12	(SHEET 4 OF 9)	



AERCO INTERNATIONAL, INC.
 BLAUVELT, NY 10913

**BENCHMARK 6000
 BOILER PARTS LIST**

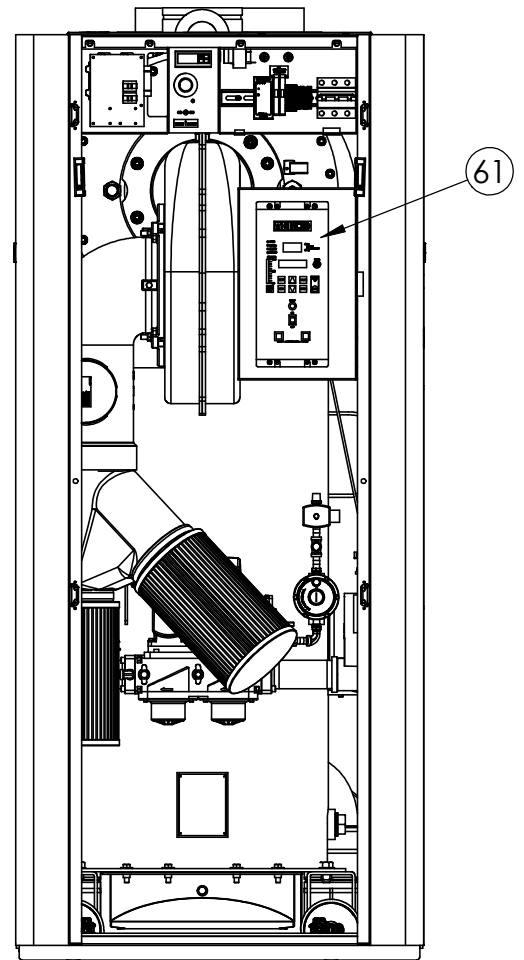
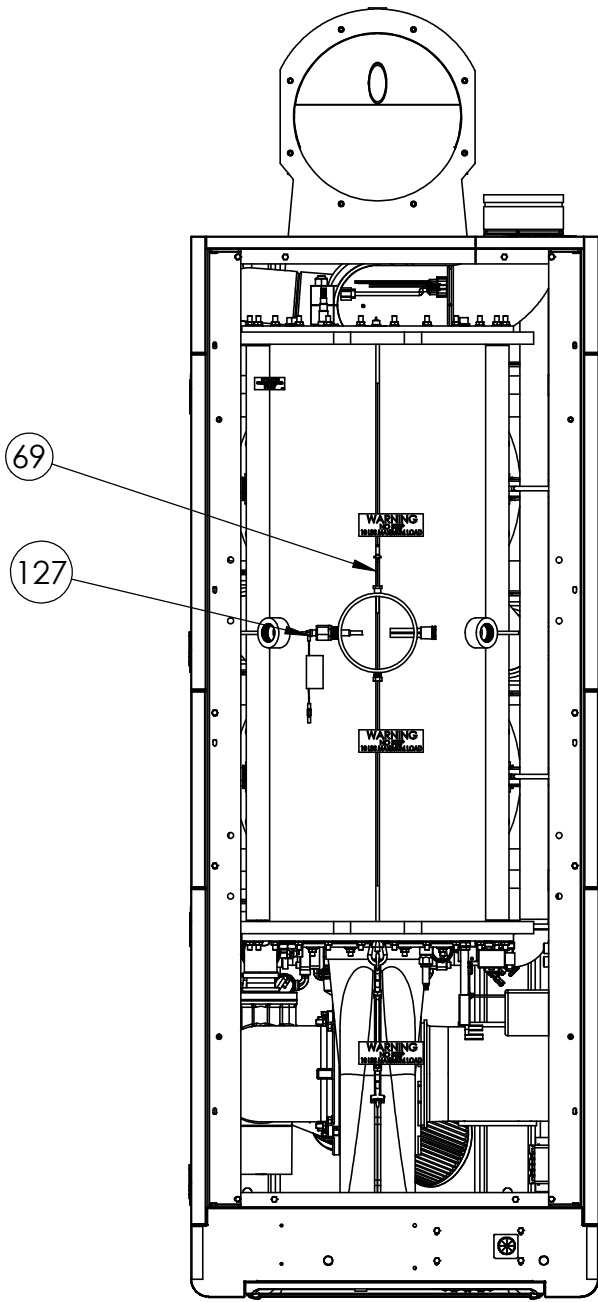
DRAWN BY KP	PL - A - 178	A
DATE 8/13/12	(SHEET 5 OF 9)	



AERCO INTERNATIONAL, INC.
BLAUVELT, NY 10913

**BENCHMARK 6000
BOILER PARTS LIST**

DRAWN BY KP	PL - A - 178	A
DATE 8/13/12	(SHEET 6 OF 9)	

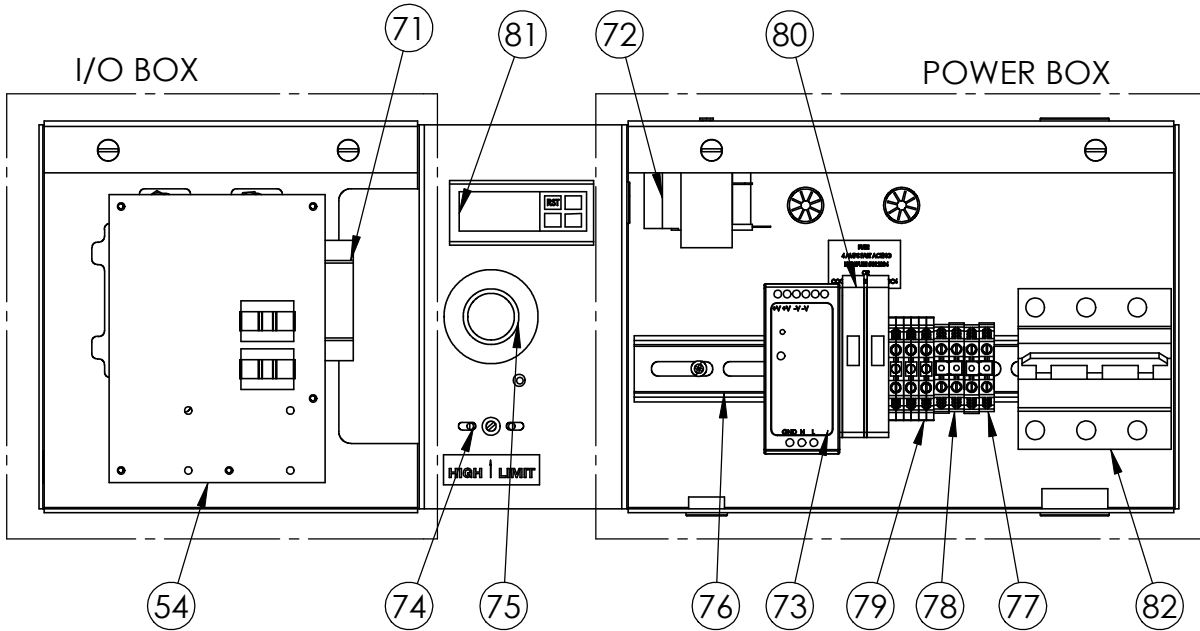
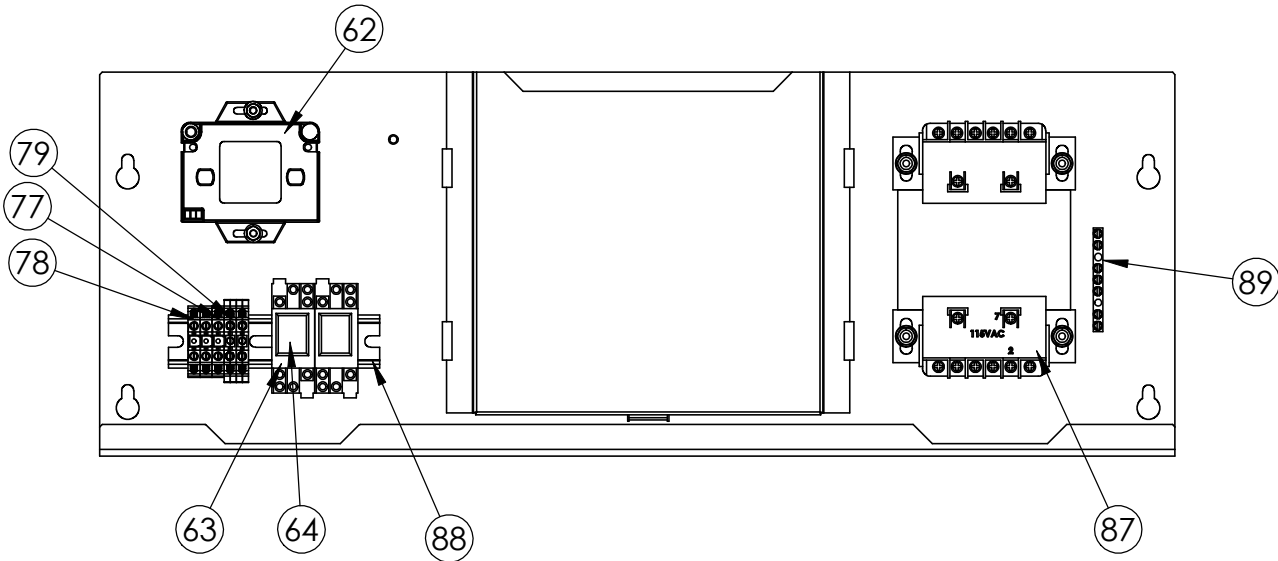


AERCO INTERNATIONAL, INC.
BLAUVELT, NY 10913

**BENCHMARK 6000
BOILER PARTS LIST**

DRAWN BY KP	PL - A - 178	A
DATE 8/13/12	(SHEET 7 OF 9)	

RELAY BOARD

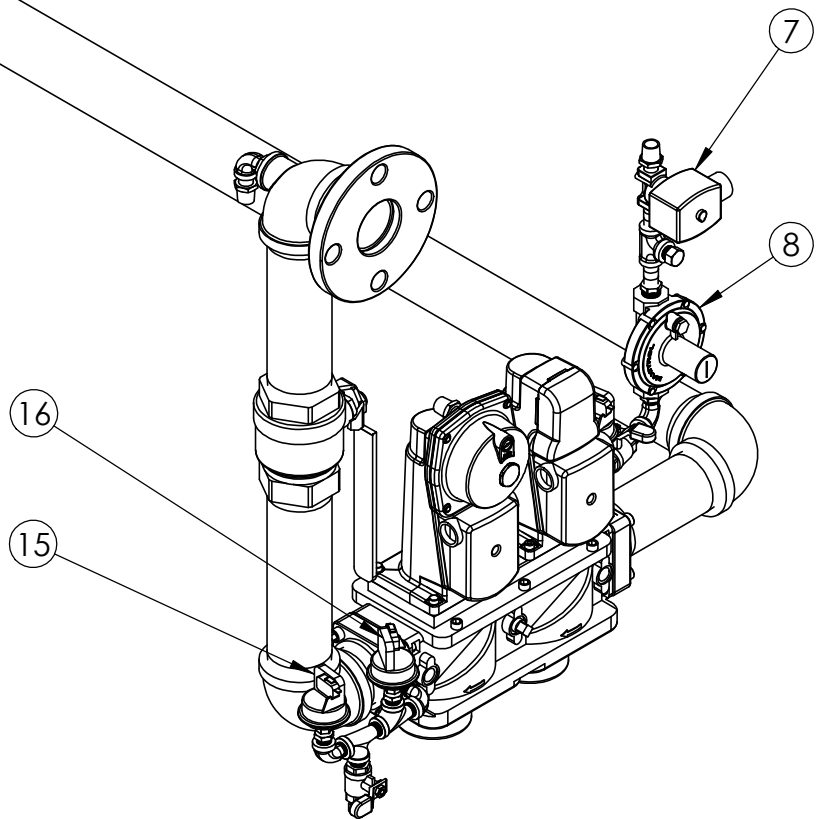
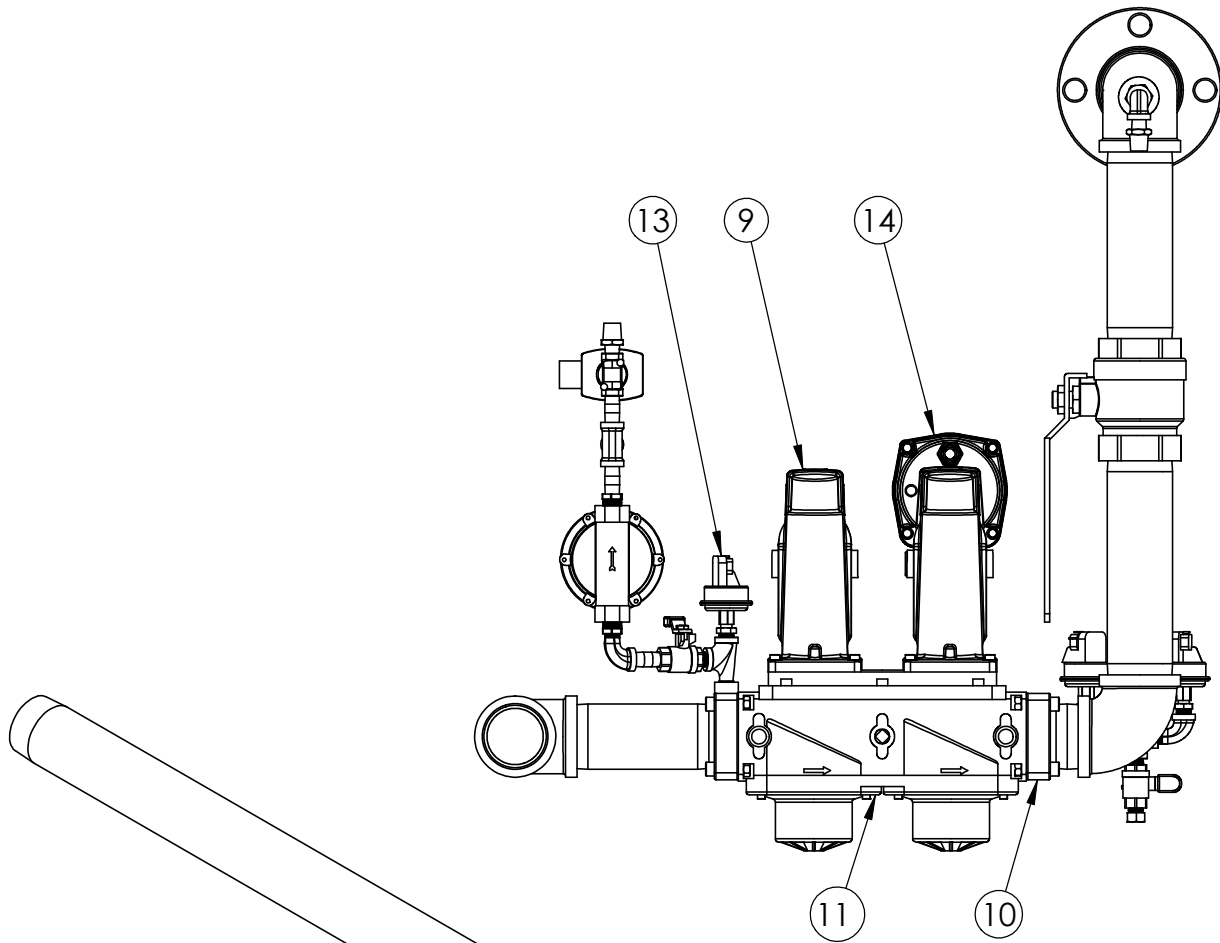


AERCO INTERNATIONAL, INC.
BLAUVELT, NY 10913

BENCHMARK 6000 BOILER PARTS LIST

DRAWN BY KP PL - A - 178
DATE 8/13/12 (SHEET 8 OF 9)

A



AERCO INTERNATIONAL, INC.
BLAUVELT, NY 10913

**BENCHMARK 6000
BOILER PARTS LIST**

DRAWN BY KP	PL - A - 178	A
DATE 8/13/12	(SHEET 9 OF 9)	