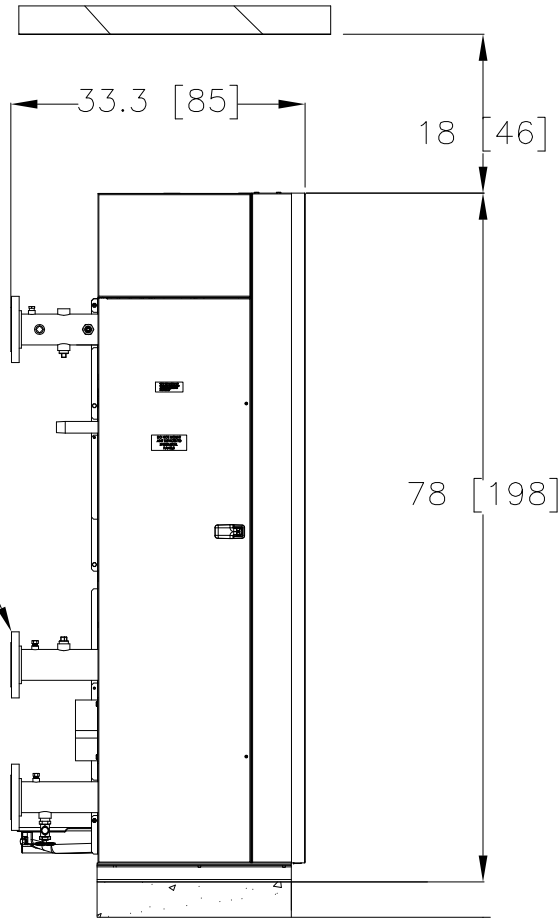


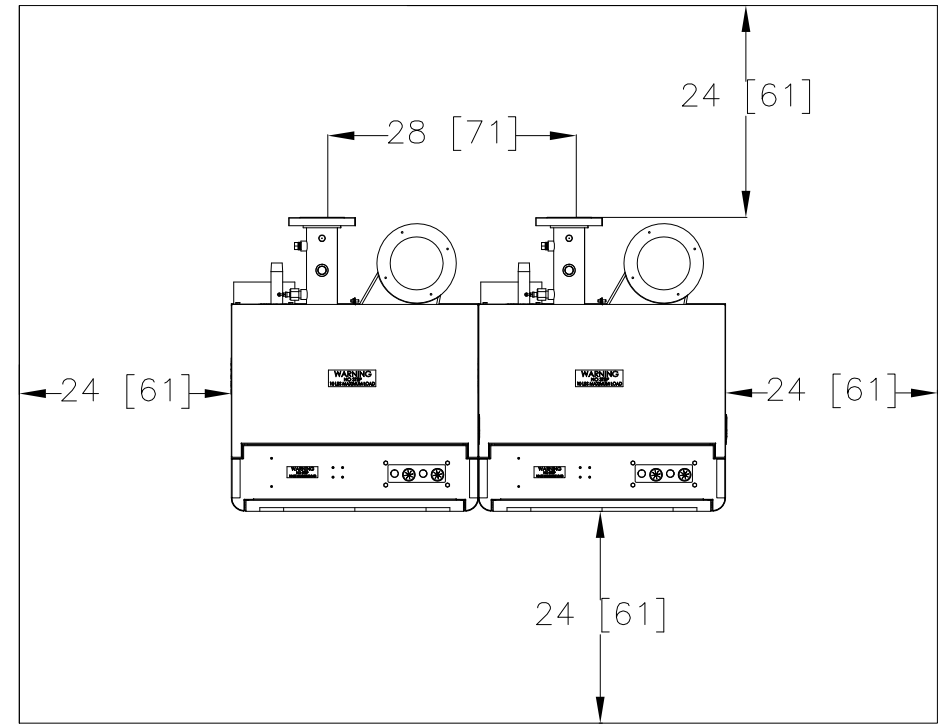
SIDE VIEW



SEE NOTE 4

4 [10] HIGH PAD  
(SEE NOTE 3)

REAR



FRONT

INSTALLATION CLEARANCES:

- 1) THIS APPLIANCE MAY BE INSTALLED ON COMBUSTIBLE FLOORING
- 2) MINIMUM CLEARANCES TO ADJACENT CONSTRUCTION ARE AS FOLLOWS:

LEFT & RIGHT SIDES: 24"  
 FRONT: 24"  
 REAR: 24"  
 CEILING HEIGHT: 100"

NOTE:

1. ALL DIMENSIONS SHOWN ARE IN INCHES (CENTIMETERS).
2. THE ZERO SIDE CLEARANCE OPTION CAN ONLY BE EMPLOYED IN TWO UNIT SETS. DOOR PANEL REMOVAL NOT REQUIRED FOR ZERO SIDE CLEARANCE.
3. WHEN USING THE AERCO CONDENSATE NEUTRALIZER TANK, FOR PROPER CONDENSATE DRAINAGE, THE NEUTRALIZER TANK MUST BE INSTALLED IN A PIT OR THE BOILER AND THE AERCO CONDENSATE TRAP MUST BE ELEVATED 4" OR HIGHER ABOVE THE FLOOR. SEE CONDENSATE TANK INSTRUCTIONS TID-0074 FOR DETAILS.
4. SECONDARY INLET IS OPTIONAL. FEATURE CAN BE SELECTED WHEN CONFIGURING A BOILER ORDER.
5. CLEARANCE DIMENSIONS ARE MINIMUMS RECOMMENDED BY AERCO. LOCAL CODES AND AUTHORITIES SHOULD BE CONSULTED.

AERCO RESERVES THE RIGHT TO MODIFY BOILER DIMENSIONS WITHOUT PRIOR NOTICE

<b>AERCO</b> A WAITS Brand		100 ORITANI DRIVE BLAUVELT, NY 10913 aerco.com
BENCHMARK 750 & 1000 MBH GAS FIRED BOILER ZERO SIDE CLEARANCE DRAWING		
DWN. BY <u>PDR</u> DATE <u>051011</u>	SD-A-872	REV
SCALE _____		D
REV. BY <u>K.S.</u> DATE <u>061623</u>		