

Series W-M110-10

Ductile Iron Modulating Float Control Valve

Size: Thread DN32-DN50 Flange DN50-DN300

The Watts W-M110-10 Modulating Float Control Valve consists of the main valve of the hydraulic control valve and adjustable floating ball valve. It can adjust the liquid level height, once the adjustment is completed, the valve will always maintain the liquid level height. It's generally used in water tank or reservoir in industrial enterprises and residential buildings.

Features

- Compact structure, reliable sealing
- Simple structure, convenient maintenance
- Control the main valve opening and closing through floating ball valve, making sure that water level inside the water tank keeps given height
- The main valve opening or closing speed can be adjusted by the needle valve

Pressure - Temperature

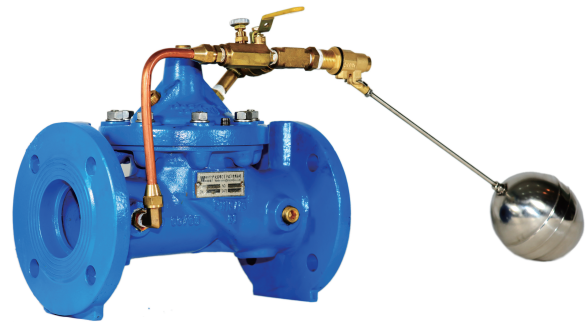
- Nominal Pressure: PN16/CL300(Thread)
- Temperature Range: 0°C ~ 80°C
- Float Valve Working Pressure: 116Psi (8Bar) WRAS
43.5Psi(3Bar) Normal
- Minimum Different Pressure: 5Psi (0.035MPa)

Test Pressures

Class	Pneumatic	Hydraulic
PN16	Seat: 7 bar	Shell: 24 bar Seat: 17.6 bar
CL300	Seat: 7 bar	Shell: 40 bar

Material

NO.	Component	Material	Standard
1	Cover	Ductile Iron+Epoxy Coated	ASTM A536 65-45-12
2	Cover Bearing	Stainless Steel	ASTM A276 304
3	Shaft/Sten	Stainless Steel	ASTM A276 304
4	Stud	Zinc Plated Steel/Stainless Steel	ASTM A570 Gr. 33/ASTM A276 304
5	Cover Nut	Zinc Plated Steel/Stainless Steel	ASTM A570 Gr. 33/ASTM A276 304
6	Washer	Zinc Plated Steel/Stainless Steel	ASTM A570 Gr. 33/ASTM A276 304
7	Diaphragm	Buna -N (Nitrile) +Nylon	
8	Spring	Stainless Steel	ASTM A276 302/304
9	Disc Retainer	Ductile Iron+Epoxy Coated	ASTM A536 65-45-12
10	Seat Disc	Buna-N (Nitrile)	
11	Body	Ductile Iron+Epoxy Coated	ASTM A536 65-45-12
12	Plug	Brass/Zinc Plated Steel	H62/ASTM A570 Gr. 33
13	Stem Nut	Stainless Steel	ASTM A276 304
14	LockWasher	Stainless Steel	ASTM A276 304
15	Spring Washer	Stainless Steel	ASTM A276 304
16	Diaphragm Washer	Ductile Iron+Epoxy Coated	ASTM A536 65-45-12
17	Spacer Washer Fiber	Fiber	
18	Disc Guide	Stainless Steel	ASTM A743 CF8M(316)
19	Seat O-Ring	Buna-N (Nitrile)	
20	Seat Ring	Stainless Steel	ASTM A743 CF8M(316)



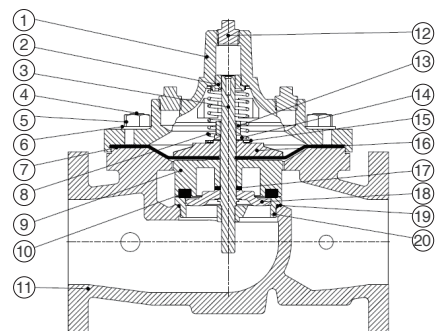
Specification

- Design Standard: AWWA C530
- Connection Type: Thread & Flanged is available
BSPT CL 300 BSPT to ISO 7-1
Flange to PN16 to BS EN 1092-2
- Test Standard: ISO/DIS 5208:2007
- Float Diameter: SØ 126 mm
- Certification WRAS 1¼" – 2" BSPT (F).
DN50 - DN300 Flanged

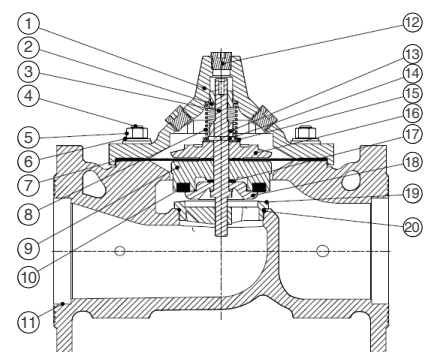
Approval



Mustang Series Main valve



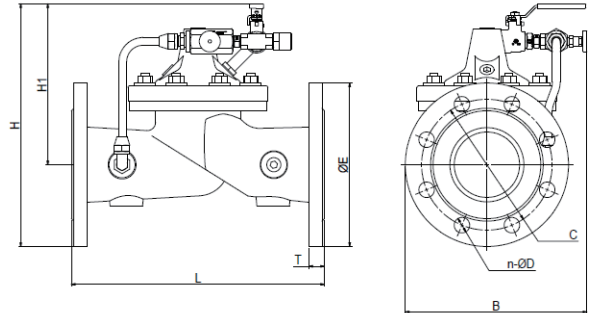
EU Series Main valve



Installation Dimensions

Connection Dimension: PN16 to BS EN 1092-2.

Size DN (mm)	Dimensions(mm)					Flange Dimensions(mm)			Weight (Kg)
	L	H	H1	B	C	n-ØD	E	T	
32 BSPT	184	295	262	210	/	/	/	/	17
40 BSPT	184	295	262	210	/	/	/	/	17
50 BSPT	238	310	262	210	/	/	/	/	17.8
50	230	342	259	225	125	4-Ø19	165	19	18.2
65	290	298	205	225	145	4-Ø19	185	19	18.6
80	310	310	210	225	160	8-Ø19	200	19	19.7
100	350	345	235	310	180	8-Ø19	220	19	35.5
125	400	435	310	240	210	8-Ø19	250	19	57.2
150	480	458	315	270	240	8-Ø23	285	19	70
200	600	535	365	430	295	12-Ø23	340	20	138
250	660	648	445	518	355	12-Ø28	406	30.5	264
300	762	759	518	620	410	12-Ø28	482	31.8	463



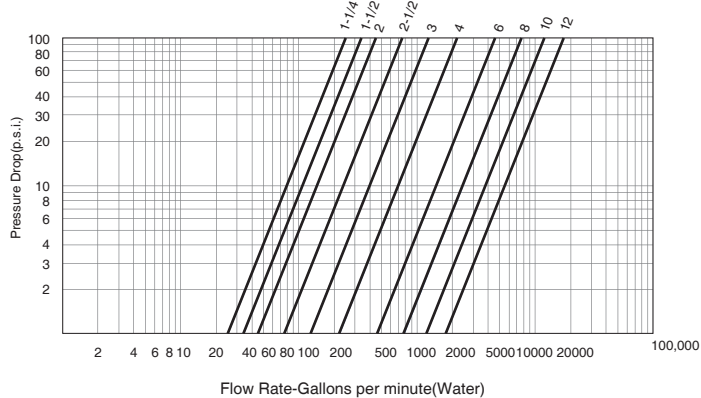
*Please contact the local salesmen if the size \geq DN300 is needed.

Flow Rates

Size (DN)	32	40	50	65	80	100	150	200	250	300
Maximum Continuous (GPM)	95	130	210	300	485	800	1850	3100	5000	7000
Maximum Intermittent (GPM)	119	161	265	390	590	1000	2300	4000	6250	8725
Minimum Continuous (GPM)	1	1	1	20	30	50	115	200	300	400
CV Factor GPM (Globe)	25	30	45	75	100	175	490	770	1200	1750

Characteristic Curves

Full Port Series



Reduce Port Series

