

Modulating Float Control Valve (W-100X-25C)

◆ Application:

The Watts W-100X Modulating Float Control Valve is designed to control the liquid height of the water tower, tank and pool. It's generally used in building services, water treatment, etc.



◆ Features:

1. Opening and closing without friction;
2. Modularization structure;
3. Reliable sealing performance;
4. Easy to operate;
5. Wide application scope.

◆ Operating Principles:

When the liquid level reaches the set height, the valve closes automatically, when the liquid level drops to a certain height, the valve automatic fills water.

◆ Technical Specification:

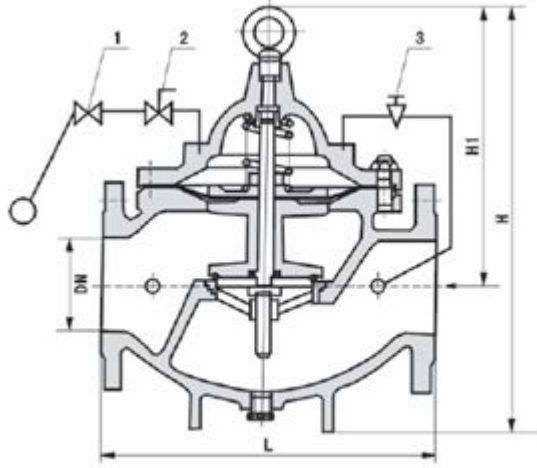
Nominal Diameter:	DN50~DN600
Nominal Pressure:	PN25
Working Temperature:	0℃~80℃
Fluid Medium:	Water
Minimum Different Pressure:	0.1MPa
Design Standard:	JB/T 10674-2006
Test Standard:	GB/T 13927-2008
Liquid Level Control Height:	≤150mm

◆ Material:

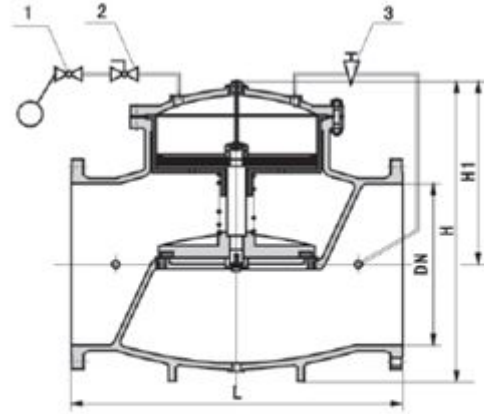
Part	Body	Bonnet	Pilot Valve	Connecting Pipe
Material	Carbon Steel Coated with Epoxy	Carbon Steel Coated with Epoxy	Copper	Copper / Stainless Steel

◆ Installation Dimensions:

Connection Dimension: GB/T 9113;



1.Floating Ball Pilot Valve 2.Ball Valve 3.Needle Valve

DN50-DN450


1.Floating Ball Pilot Valve 2.Ball Valve 3.Needle Valve

DN500-DN600

DN	50	65	80	100	125	150	200	250	300	350	400	450	500	600
L	203	216	241	292	330	356	495	622	698	787	914	978	1075	1230
H1	210	215	245	305	365	415	510	560	658	696	735	735	620	695
H	265	310	350	460	520	570	840	890	1030	1090	1150	1150	750	850

◆ Typical Application:

1. Water plant and water source project;
2. Environmental protection;
3. Municipal facilities;
4. Electric power and utilities;
5. Construction industry.

◆ Installation Instructions:

- (1) The valve's rated parameters should match the equipment's. Make sure that the valve's rated flow satisfies the actual demand;
- (2) The installer must be trained or experienced so as to operate the installation correctly;
- (3) A thorough check after installation is needed to ensure no errors;
- (4) A thorough cleaning before installation is needed (chemical reagent can be applied if it is necessary) to ensure that there is not any rusting or dirt in the pipe. All the filters must be removed before washing to keep the pipe smoothly open;
- (5) When beginning to wash the system, it is suggested to install the valve on a temporary pipe. After finishing system cleaning, move the valve back and install it on the system's pipe;
- (6) This product should not be used when the fluid medium has high viscosity (contains much grease or mineral oil), or under corrosive circumstances;
- (7) Use flange and the corresponding bolts that meet the standard to connect the valve;
- (8) The direction of flow must accord with the direction of the arrow head on the valve body;
- (9) For the size below DN200, the main valve can be installed horizontally or vertically, but horizontal installation is better. The size above DN200 only can be installed horizontally.