

Flange Butterfly Valve (W-W1224-L)

Flange Butterfly Valve (W-W1224-G)

◆ Application:

The Watts Series W-W1224 butterfly valves are designed and manufactured to meet the stringent requirements of HVAC, Irrigation, OEM, Commercial, Institutional, and Industrial applications. Building services, municipal waterworks and light industrial ...



◆ Features:

1. Simple structure, easy to operate;
2. Simple installation, good sealing performance;
3. Long life, high reliability;
4. Good compatibility.
5. Good sealing effect, with no pin and no backrest.

◆ Working Principles:

1. Round disc is used as mechanism for opening and closing, and it rotates together with the stem to open, close and adjust fluid.
2. Round disc rotates 0°~90° around the axial line.

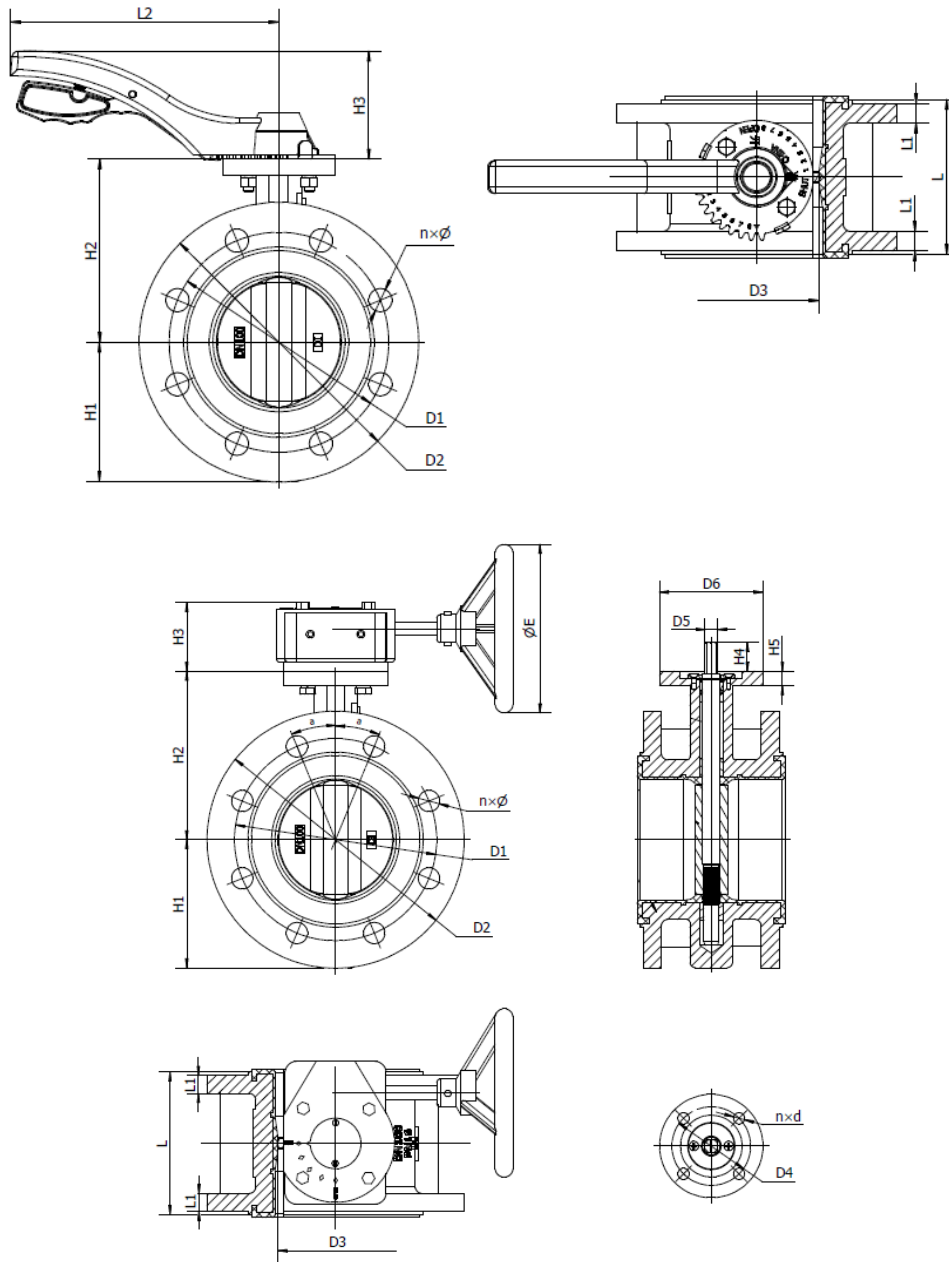
◆ Technical Parameters:

Nominal Diameter:	DN50~DN150	Lever
	DN50~DN300	Gear
Nominal Pressure:	PN25	
Working Temperature:	-20°C~120°C	
Working Medium:	Water	
Connection Type:	Flange	
Connection Standard:	ISO5211: 2001	

◆ Material:

Part	Body	Disc			Seat	Stem
Material	Ductile Iron	Ductile Iron	Ductile Iron	Stainless Steel	EPDM	Stainless Steel
	QT450-10	QT450-10	QT450-10	CF8		Steel
	QT450-10	(Epoxy coated)	(Nickel-plated)			1Cr17Ni2

Installation Dimensions:



DN	H1	H2	L	D2	D3	D1	n x phi	alpha	H5	D5	H4	D4	n x phi d	D6	Gear		Lever	
															H3	phi E	H3	L2
50	83	120	150	phi165	phi51	phi125	4 x phi19	45°	12	square 9	24	phi70	4 x phi10	phi92	66	150	66	215
65	93	130	170	phi185	phi62.8	phi145	8 x phi19	22.5°	13	square 9	24	phi70	4 x phi10	phi92	66	150	66	215
80	100	145	180	phi200	phi77.3	phi160	8 x phi19	22.5°	14	square 9	24	phi70	4 x phi10	phi92	66	150	66	215
100	114	155	190	phi235	phi102.7	phi190	8 x phi23	22.5°	13	square 11	26	phi70	4 x phi10	phi92	66	150	66	215
125	125	170	200	phi270	phi121.8	phi220	8 x phi28	22.5°	14	square 14	26	phi70	4 x phi10	phi92	66	150	66	215
150	143	190	210	phi300	phi154.5	phi250	8 x phi28	22.5°	14	square 14	26	phi70	4 x phi10	phi92	66	150	66	215
DN200	170	205	230	phi360	phi200.9	phi310	12 x phi28	15°	14	square 22	33	phi102	4 x phi12	phi125	82	298	/	
DN250	198	235	250	phi425	phi248.9	phi370	12 x phi31	15°	14	square 22	26	phi102	4 x phi12	phi125	82	298		
DN300	222.5	280	270	phi485	phi299.9	phi430	16 x phi31	11.25°	20	square 27	45	phi125	4 x phi14	phi150	84	298		

◆ Installation Instructions:

- This valve does not have flow direction of medium requirements, both sides can be used as the import and export.
- This valve can be installed horizontal, vertically or inclined upward 45 °, do not allow the hand wheel down installation.
- In the process of hoisting can not put the point of pressure on the hand wheel, should be on the flange hole.