

Series W-W1124-EK/ET

Motorized Butterfly Valve - Water Type Wafer Type On/Off & Regulating Type

Size: DN50-DN300

Watts W-W1124-EK/ET can realize medium connection, cut-off and flow control in the pipeline. It can be applied in municipal water supply, industrial and agricultural water transfer pipeline, etc.

Features

- Simple structure, easy to operate
- Easy installation, excellent sealing performance
- Long service life, high reliability
- Good part interchangeability
- A structure with no pin and no backrest ensures more reliable sealing effect

Pressure-Temperature

- Maximum Working Pressure: PN25
- Temperature Range: -15 C-120 C

Material

Component	Material
Body	Ductile Iron+Epoxy Coated
Disc	Ductile Iron (N. Plato) Aluminum Bronze
Seat	EPDM
Stem	Stainless Steel



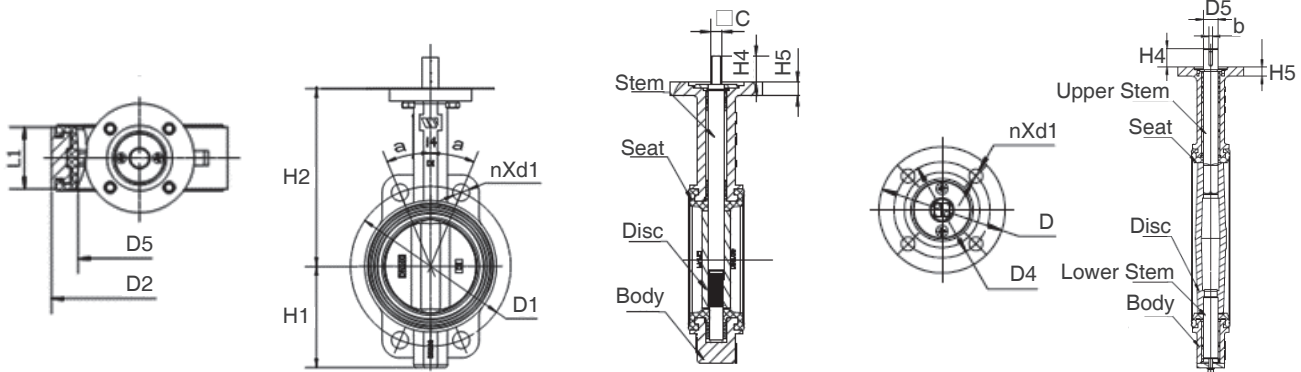
Specification

- Design Standards: GB/T 13927-2008/EN 593, BSEN 5155/MSS SP-67
- Connection Standard: GB/T 17241.6
- Connection Type: Wafer
- Working Medium: Water

Operating Principles

The electric actuator or the handle controls the rotation of the sealing disc, opening and closing, and flow rate regulation of the valve.

Installation Dimensions



DN50-300

DN350-600

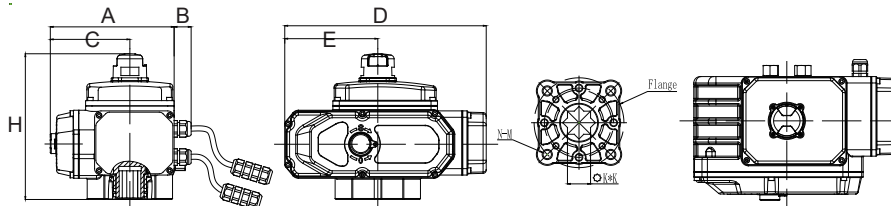
DN	H1	H2	H4	H5	L1	□ C	D2	D5	D1	nXd1	a	D4	nXd	φ3
50	80	161	24	12	43	□ 9	φ89	φ51.7	φ125	4Xφ19	45°	φ70	4Xφ10	φ92
65	89	175	24	13	46	□ 9	φ105	φ63.3	φ145	4Xφ19	22.5°	φ70	4Xφ10	φ92
80	95	181	24	14	46	□ 9	φ120	φ77.7	φ160	4Xφ19	22.5°	φ70	4Xφ10	φ92
100	114	200	26	14	52	□ 11	φ148	φ103.1	φ190	4Xφ23	22.5°	φ70	4Xφ10	φ92
125	127	213	26	14	56	□ 14	φ170	φ122.2	φ220	4Xφ28	22.5°	φ70	4Xφ10	φ92
150	144	226	26	14	56	□ 14	φ203	φ154.9	φ250	4Xφ28	22.5°	φ70	4Xφ10	φ92
200	185	260	33	14	60	□ 22	φ263	φ201.3	φ310	4Xφ28	15°	φ102	4Xφ12	φ125
250	211	292	26	14	68	□ 22	φ310	φ249.4	φ370	4Xφ31	15°	φ102	4Xφ12	φ125
300	247	337	45	20	78	□ 27	φ363	φ300.1	φ430	4Xφ31	11.25°	φ125	4Xφ14	φ150

Technical Parameters

- Power Voltage: 220VAC (380VAC, 24V AC/DC Please Consult)
- Protection Class: IP67
- Ambient Temperature: -25°C ~+70°C
- Stroke Limit: bidirectional adjustable stroke ± 4 .
- Motor: Insulation Class F, Built-in Overheat Protection
- Feedback: Switch Type Passive Feedback, Control Type 4-20mA (0-10V, 2-10V, Specify Before Ordering)
- Anti-Condensation: Heat Dehumidifier
- Other: Externally Led Cable, With Waterproof Press-type Quick Coupling Cable Connector; Handwheel Operation, Fault Feedback Options

Type		Torque N.m	Actuating Times	Power W	Size
On-Off	Regulating				
W-AA1S-5	W-AA1M-5	50	30	52	DN50-100
W-AA1S-10	W-AA1M-10	100	30	70	DN125
W-AA1S-16	W-AA1M-16	160	30	83	DN150
W-AA1S-25	W-AA1M-25	250	30	105	DN200
W-AA1S-60	W-AA1M-60	600	30	220	DN250-300
W-AA1S-100	W-AA1M-100	1000	50	220	DN350
W-AA1S-200	W-AA1M-200	2000	85	264	DN400-450
W-AA1S-400	W-AA1M-400	3500	75	462	DN500-600

Overall Dimensions Of Electric Device



Model		Flange	A	B	C	D	E	H
W-AA1S-5	W-AA1M-5	F03.F05.F07	113	26.5	70.5	178	87	157.5
W-AA1S-10	W-AA1M-10	F05.F07	124.5	26.5	82.5	217	105	175.5
W-AA1S-16	W-AA1M-16	F05.F07	124.5	26.5	82.5	217	105	175.5
W-AA1S-25	W-AA1M-25	F07.F10.F12	166	26.5	104	291	140	194.5
W-AA1S-60	W-AA1M-60	F07.F10.F12	166	26.5	104	291	140	194.5
W-AA1S-100	W-AA1M-100	F12orF10.F14	198	26.5	124	314	145	236.5
W-AA1S-200	W-AA1M-200	F12orF10.F14	198	26.5	124	314	145	236.5
W-AA1S-350	W-AA1M-350	F14orF12.F16	242	26.5	139.5	341	150	267
W-AA1S-400	W-AA1M-400	F16.F25	266	26.5	155	439	189	347