

Flange Butterfly Valve (W-W1211-G)

◆ Application:

The Watts Series W-W1211 butterfly valves are designed and manufactured to meet the stringent requirements of HVAC, Irrigation, OEM, Commercial, Institutional, and Industrial applications. Building services, municipal waterworks and light industrial ...



◆ Features:

1. Simple structure, easy to operate;
2. Simple installation, good sealing performance;
3. Long life, high reliability;
4. Good compatibility.
5. Good sealing effect, with no pin and no backrest.

◆ Working Principles:

1. Round disc is used as mechanism for opening and closing, and it rotates together with the stem to open, close and adjust fluid.
2. Round disc rotates 0°~90° around the axial line.

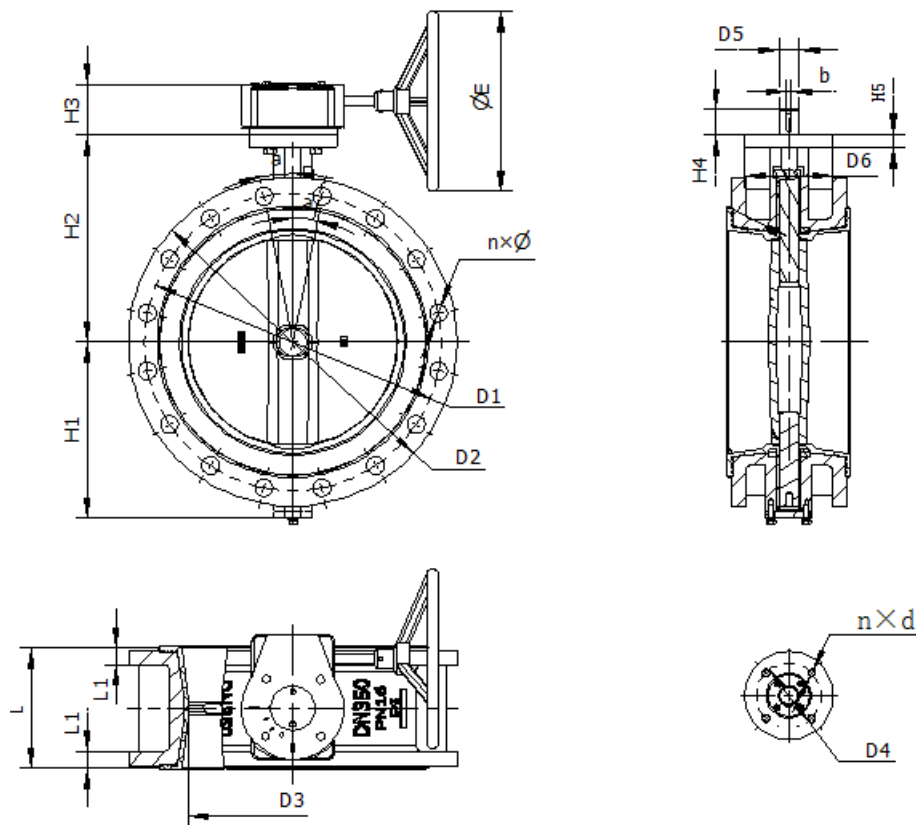
◆ Technical Parameters:

Nominal Diameter:	DN350~DN600	Gear
Nominal Pressure:	PN16	
Working Temperature:	-20°C~120°C	
Working Medium:	Water	
Connection Type:	Flange	
Connection Standard:	ISO5211: 2001	

◆ Material:

Part	Body	Disc			Seat	Stem
Material	Ductile Iron	Ductile Iron	Ductile Iron	Stainless Steel	EPDM	Stainless Steel
	QT450-10	QT450-10 (Epoxy coated)	QT450-10 (Nickel-plated)	CF8		2Cr13

◆ Installation Dimensions:



DN	H1	H2	H3	ϕE	L	L1	D2	D3	D1	$n \times \phi$	α	D4	$n \times \phi d$	D5	b	H4	D6	H5
350	269	328	84	298	190	26.5	$\phi 520$	$\phi 331.5$	$\phi 470$	16- $\phi 28$	11.25°	$\phi 102$	4× $\phi 12$	$\phi 31.6^{0}_{-0.05}$	8	40	$\phi 140$	20
400	310	376	120	300	216	28	$\phi 580$	$\phi 387.5$	$\phi 525$	16- $\phi 31$	11.25°	$\phi 140$	4× $\phi 18$	$\phi 33.15^{0}_{-0.05}$	10	52	$\phi 175$	20
450	335	407	120	300	222	30	$\phi 640$	$\phi 438.5$	$\phi 585$	20- $\phi 31$	9°	$\phi 140$	4× $\phi 18$	$\phi 38^{0}_{-0.05}$	10	52	$\phi 175$	20
500	362	433	150	300	229	31.5	$\phi 715$	$\phi 488.8$	$\phi 650$	20- $\phi 34$	9°	$\phi 140$	4× $\phi 18$	$\phi 41.15^{0}_{-0.05}$	10	64	$\phi 175$	22
600	449	508	150	300	267	36	$\phi 840$	$\phi 589.9$	$\phi 770$	20- $\phi 37$	9°	$\phi 165$	4× $\phi 23$	$\phi 50.65^{0}_{-0.05}$	16	70	$\phi 210$	22

◆ Installation Instructions:

- This valve does not have flow direction of medium requirements, both sides can be used as the import and export.
- This valve can be installed horizontal, vertically or inclined upward 45°, do not allow the hand wheel down installation.
- In the process of hoisting can not put the point of pressure on the hand wheel, should be on the flange hole.