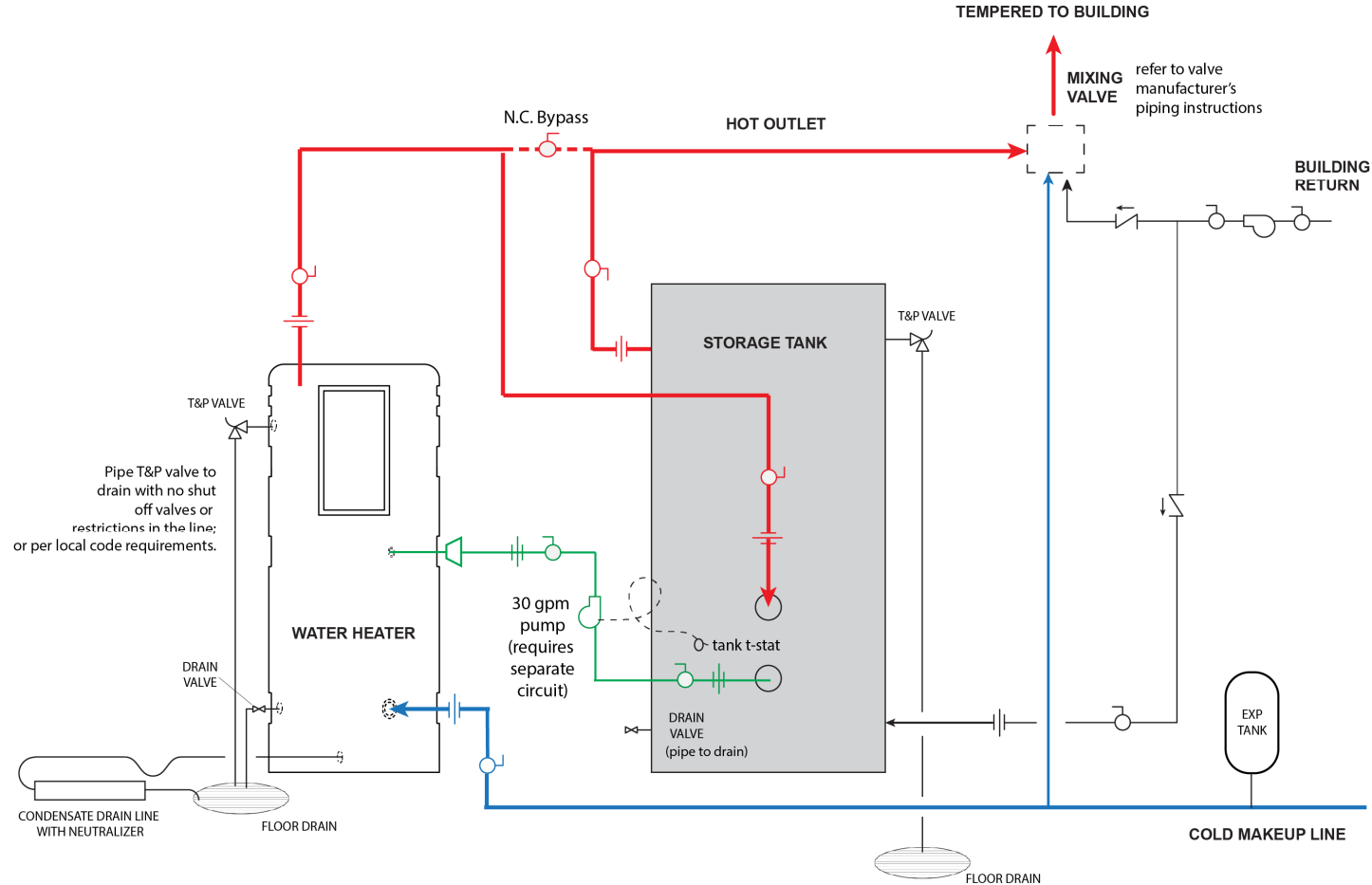


GENERAL PIPING GUIDELINE: One Conquest® or Power VTX® Water Heater and One Storage Tank

Refer to Installation manual for full details.



NOTES:

1. Do not exceed 160°F stored water temperature in the sidarm tank.
2. **Circulating pump requires a separate electrical circuit wired through the tank thermostat.** Tank-mounted thermostat energizes pump on a call for heat. Heater runs independently on its own set point. Pump de-energizes when tank temperature is restored.
3. Bypass piping allows heater to continue operation with the storage tank removed from the system.
4. During initial startup of the heater and tank, the heater may cycle occasionally.

